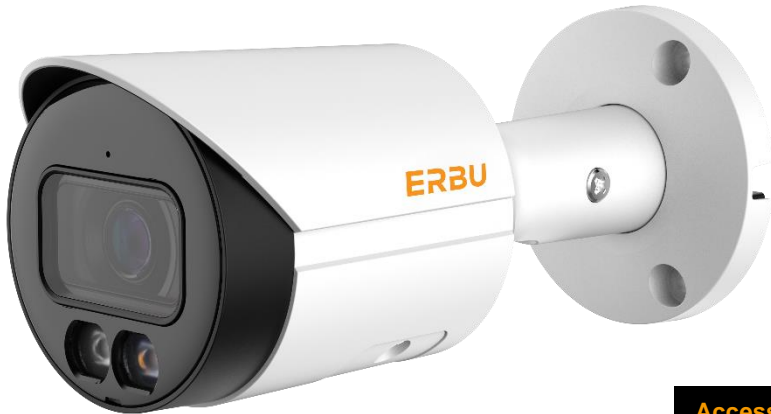


ERBU

E-B528-FS^{PLUS}

5MP IR Fixed – focal Bullet Network Camera



Accessories

PFA134



PFA130-E



PFA152-E

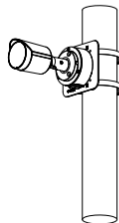
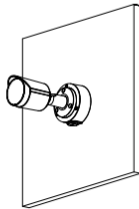
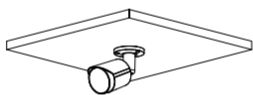


Installation Method

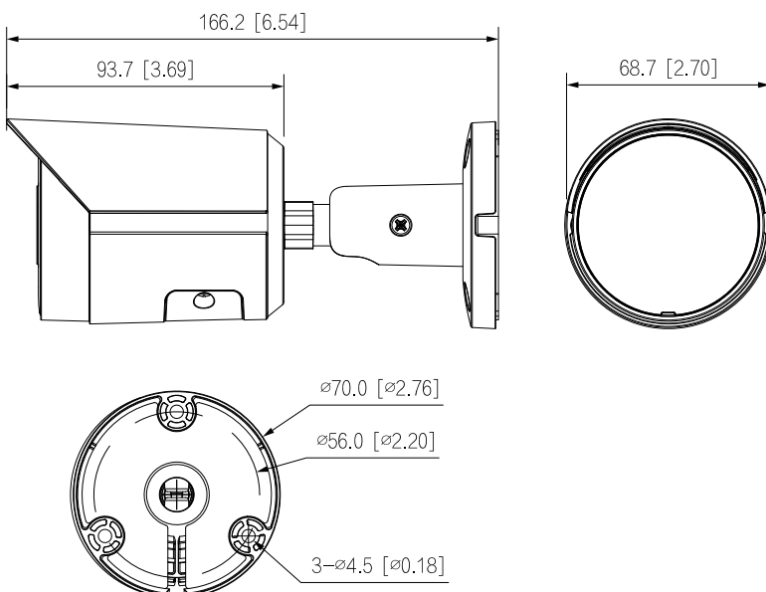
Ceiling Mount

Wall Mount

Pole Mount (Vertical)



Dimensions mm (inch)



Technical Specification

Camera

| | |
|----------------------------|---|
| Image Sensor | 1/2.7" CMOS |
| Max. Resolution | 2960 (H) × 1668 (V) |
| ROM | 128 MB |
| RAM | 256 MB |
| Scanning System | Progressive |
| Electronic Shutter Speed | Auto/Manual 1/3 s–1/100,000 s |
| Min. Illumination | 0.007 Lux@F1.6 (Color,30IRE) 0.0007 Lux@F1.6 (B/W,30IRE) 0 lux (Illuminator on) |
| S/N Ratio | >56 dB |
| Illumination Distance | 30 m (IR LED) 30 m (Warm Light) |
| Illuminator On/Off Control | Auto / Manual |
| Illuminator Number | 1 (IR LED); 1 (Warm light) |
| Pan/Tilt/Rotation Range | Pan: 0°–360° Tilt: 0°–90° Rotation: 0°–360° |

Technical Specification

Lens

| | | | | |
|----------------------|--------------------------------|---------|-----------|----------|
| Lens Type | Fixed-focal | | | |
| Lens Mount | M12 | | | |
| Focal Length | 2,8 mm | | | |
| Max. Aperture | F1.6 | | | |
| Field of View | H: 111°; V: 58°; D: 132° | | | |
| Iris Control | Fixed | | | |
| Close Focus Distance | 1,1 m | | | |
| DORI Distance | Detect | Observe | Recognize | Identify |
| | 63,6 m | 25,4 m | 12,7 m | 6,4 m |

Intelligence

| | |
|----------------------------|---|
| IVS (Perimeter Protection) | Intrusion, tripwire (the two functions support the classification and accurate detection of vehicle and human) |
| Smart Search | Work together with Smart NVR to perform refine intelligent search, event extraction and merging to event videos |

Video

| | |
|--------------------------|--|
| Video Compression | H.265; H.264; H.264H; H.264B; MJPEG (Only supported by the sub stream) |
| Smart Codec | Smart H.265+; Smart H.264+ |
| Video Frame Rate | Main stream: 2960 × 1668@(1–20 fps)/2688 × 1520@ (1–25/30 fps) sub stream: 704 × 576@(1–25 fps)/704 × 480@(1–30 fps) *The values above are the max. frame rates of each stream; for multiple streams, the values will be subjected to the total encoding capacity. |
| Stream Capability | 2 streams |
| Resolution | 2960 × 1668 (2960 × 1668); 2880 × 1620 (2880 × 1620); 2688 × 1520 (2688 × 1520); 3M (2048 × 1536); 2304 × 1296 (2304 × 1296); 1080p (1920 × 1080); 1.3M (1280 × 960); 720p (1280 × 720); D1 (704 × 576/704 × 480); VGA (640 × 480); CIF (352 × 288/352 × 240) |
| Bit Rate Control | CBR/VBR |
| Video Bit Rate | H.264: 32 kbps–8192 kbps H.265: 12 kbps–8192 kbps |
| Day/Night | Auto (ICR)/Color/B/W |
| BLC | Yes |
| HLC | Yes |
| WDR | 120 dB |
| White Balance | Auto; natural; street lamp; outdoor; manual; regional; custom |
| Gain Control | Manual; Auto |
| Noise Reduction | 3D NR |
| Motion Detection | OFF/ON (4 areas, rectangular) |
| Region of Interest (RoI) | Yes (4 areas) |
| Smart Illumination | Yes |
| Image Rotation | 0°/90°/180°/270° (Support 90°/270° with 2688 × 1520 resolution and lower) |
| Mirror | Yes |
| Privacy Masking | 4 areas |

Audio

| | |
|-------------------|-----------------------------|
| Built-in MIC | Yes |
| Audio Compression | G.711a; G.711Mu; G.726; PCM |

Alarm

| | |
|-------------|--|
| Alarm Event | No SD card; SD card full; SD card error; network disconnection; IP conflict; illegal access; motion detection; video tampering; tripwire; intrusion; audio detection; voltage detection; SMD; security exception |
|-------------|--|

Network

| | |
|---------------------|---|
| Network Port | RJ-45 (10/100 Base-T) |
| SDK and API | Yes |
| Network Protocol | IPv4; IPv6; HTTP; TCP; UDP; ARP; RTP; RTSP; RTCP; RTMP; SMTP; FTP; SFTP; DHCP; DNS; DDNS; QoS; UPnP; NTP; Multicast; ICMP; IGMP; NFS; PPPoE; Bonjour |
| Interoperability | ONVIF (Profile S/Profile G/Profile T); CGI; P2P; Milestone |
| User/Host | 20 (Total bandwidth: 48 M) |
| Storage | FTP; SFTP; Micro SD card (support max. 256 GB); NAS |
| Browser | IE; Chrome; Firefox |
| Management Software | Smart PSS; DSS; EasyViewer Pro |
| Mobile Client | iOS; Android |
| Cyber Security | Configuration encryption; trusted execution; Digest; security logs; WSSE; account lockout; syslog; video encryption; 802.1x; IP/MAC filtering; HTTPS; trusted upgrade; trusted boot; firmware encryption; Generation and importing of X.509 certification |

Certification

| | |
|----------------|--|
| Certifications | CE-LVD: EN62368-1; CE-EMC: Electromagnetic Compatibility Directive 2014/30/EU; FCC: 47 CFR FCC Part 15, Subpart B; UL/CUL: UL62368-1 & CAN/CSA C22.2 No. 62368-1-14 |
|----------------|--|

Power

| | |
|-------------------|--|
| Power Supply | 12 VDC/PoE (802.3af) |
| Power Consumption | Basic: 2.2 W (12 VDC); 2.9 W (PoE) Max. (H.265+ max. resolution + max. stream+ WDR + warm light intensity + IVS): 4.6 W (12 VDC); 5.5 W (PoE) |

Technical Specification

Environment

| | |
|-----------------------|------------------|
| Operating Temperature | -40 °C to +60 °C |
| Operating Humidity | ≤95% |
| Storage Temperature | -40 °C to +60 °C |
| Protection | IP67 |

Structure

| | |
|-----------------------|--------------------------|
| Operating Temperature | Metal |
| Operating Humidity | 166.2 mm × 70 mm × 70 mm |
| Net Weight | 0.47 kg |
| Gross Weight | 0.59 kg |